

TEXMO[®]
SINGLE PHASE MOTOR



INSTALLATION / SPARE PARTS MANUAL

MANUFACTURED BY:

AQUAPUMP INDUSTRIES

TUDIYALUR POST
COIMBATORE - 641 034, INDIA

TEXMO SINGLE PHASE MOTORS

INSTALLATION:

The motor is of capacitor start, induction run type. It is suitable for 200 to 240 volts, 50 cycles AC Single phase supply. Before installation, the motor shaft should be rotated by hand to check if it is free. If it is struck, the concerned dealer should be informed immediately. The motor should be installed in an area relatively free from dust fumes and moisture.

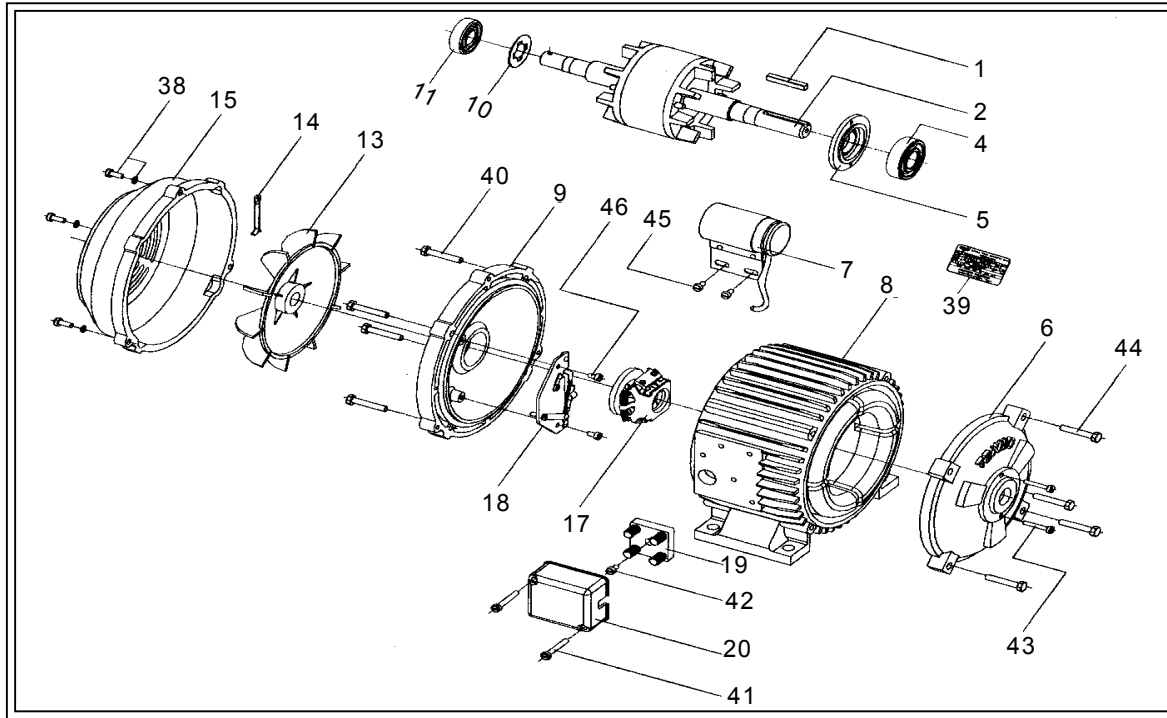
The Motor can be mounted in any inclination. To ensure long life the motor is to be perfectly aligned with the driven machine, flexible couplings are to be used for direct driven and for belt drive the belts are to be tight enough to prevent slipping.

For Motor upto 1HP, 3/20 size wire should be used and for 1.5 to 2HP, 7/20 wire should be used. The power supply is to be connected to the motor terminal A1 & A2. If the direction of rotation require changing, the Black leads at the motor terminals A1 & A2 are to-be inter changed.

The Motor is to be properly earthed using the earth terminal provided at the base of the motor.

Bearing require no lubrication for 3 years. When regreasing, only half the space between the bearing and the cap should be filled with grease.

If the Motor is kept idle for more than 200 days, the capacitor will need Reforming. This can be done by switching the power supply on and off quickly about 10 times before starting the motor.

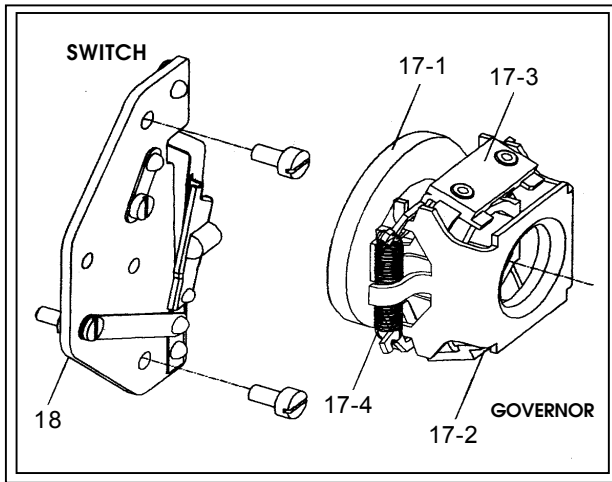


EXPLODED VIEW OF SINGLE PHASE MOTOR

SPARES:

While ordering for spares, the complete name plate details of the motor with the required part no. (as per the part list) are to be specified clearly.

Part Number	Part Name	Quantity	Material
1	Shaft key for coupling	1	Steel
2	Shaft with Rotor	1	Alloy Steel
4	Front Bearing	1	-
5	Front inner cap	1	Cast Iron
6	Front cover	1	Cast Iron
7	Capacitor with Clamp	1	-
8	Motor frame with Stator	1	Cast Iron
9	Back Cover	1	Cast Iron
10	Back Bearing inner cap	1	Mild Steel
11	Back Bearing	1	
13	Cooling Fan	1	Plastic
14	Split pin for cooling fan	1	Mild Steel
15	Cooling cover	1	Cast Iron
19	Terminal Board	1	Bakelite
20	Terminal Box	1	Plastic
38	Screw with spring washer for cooling cover	3	Mild Steel
39.	Name plate	1	Aluminium
40.	Back cover/motor frame Hex.Bolt	4	Mild Steel
41.	Terminal box cover screw	2	Mild Steel
42.	Terminal board screw	1	Mild Steel
43.	Front Bearing cap screw	2	Mild Steel
44.	Front cover / motor frame Hex.Bolt	4	Mild Steel
45.	Capacitor clamp with screw	2	Mild Steel
46.	Screw with washer for starting switch	2	Mild Steel



CENTRIFUGAL GOVERNOR & SWITCH

Part Number	Part Name	Quantity	Material
17	Centrifugal Governor Assembly	1	
17-1	Governor Spool	1	Bakelite
17-2	Governor Base	1	Mild Steel
17-3	Governor Weight	2	Mild Steel
17-4	Governor Spring	2	Spring Steel
18	Starting Switch		

BEARING AND CAPACITOR CHART

Type	HP	Bearing size		Capacitor
		Front	Rear	
SP050	0.5	6304	6203	60 - 80 MFD
SP100	1.0	6304	6203	120 - 150 MFD

WARRANTY FOR MOTOR :

Aquapump Industries warrants to the purchaser of this TEXMO product, that for a period of 12 months commencing from the date of purchase of the product, Aquapump Industries will repair or replace free of charge any part or parts of the product, should Aquapump Industries be fully satisfied in its sole discretion, that the defect/ s is / are due to faulty material or workmanship only. The warranty will be governed by the following clauses:

1. Aquapump Industries or their Authorised Service Agent / Dealer will repair / replace all parts that are failing due to faulty material or defective workmanship pertaining to the above product.
2. Only Aquapump Industries or its Authorised Service Agent / Dealer can service / repair or attend to install / reinstall the above product.
3. All expenses incurred in collecting the units or parts thereof from the Authorised Service Centre or the Dealer of Aquapump Industries as well as expenses incurred in connection with deputing of service personnel / technicians towards to and fro travel conveyance and other incidentals etc., will be borne by the customer.
4. The warranty extended therein is in lieu of all implied conditions and warranties under the law and is confined to the repair or replacement of defective parts and does not cover any consequential or resulting liability, damage or loss arising from such defects. Further more, the warranty in no case, shall extend to the payment or any monetary consideration whatsoever, of the replacement or return of the product as a whole.
5. The warranty is issued subject to jurisdiction of Coimbatore Court of Law.
6. The warranty is covered by Force Majeure clause. In the event if the above product is struck by any natural calamity, this warranty stands null and void.

This Warranty is not valid in case of any of the following events.

- a. This Motor is not used according to the instructions given in this Installation and Operation manual.
- b. If the electrical power supply voltage is not within the stipulated norms.
- c. Any repair work / installation carried out by a person other than Aquapump Industries Service Centre / Service Agent.
- d. The serial Number is deleted, defaced or altered.

WARRANTY CARD

(Please retain this for your personal record)

Product Name & Model No. Serial No.

Name and Address of Dealer

Bill No. Date of Purchase

© Registered Trademark of Aquasub Engineering & Aquapump Industries for Texmo brand products listed.

05/2006